

# CLEARHORN SPEAKERS

Clearhorn Speaker

## WT-7006N

6w



Clearhorn Speaker

## WT-7015N

15w



Clearhorn Speaker

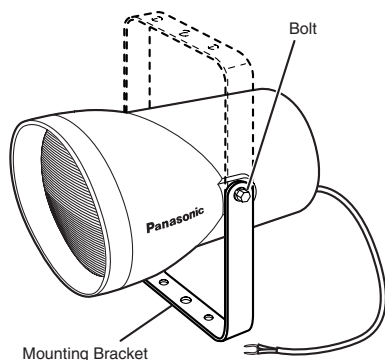
## WT-7030N

30w

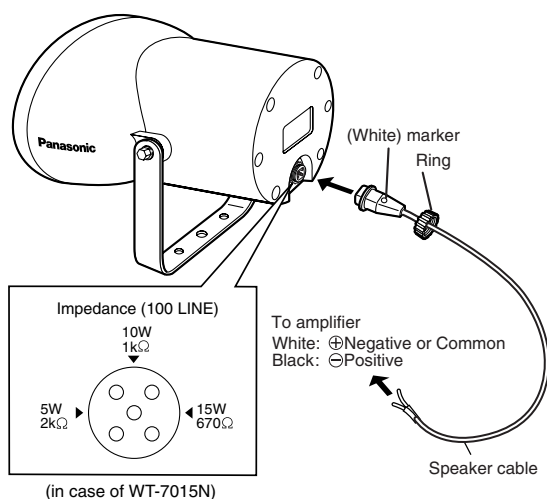


### Installation

Adjust speaker directivity, loosen two bolts on the sides of the speaker and then position the speaker at the appropriate angle. Retighten the bolts firmly.

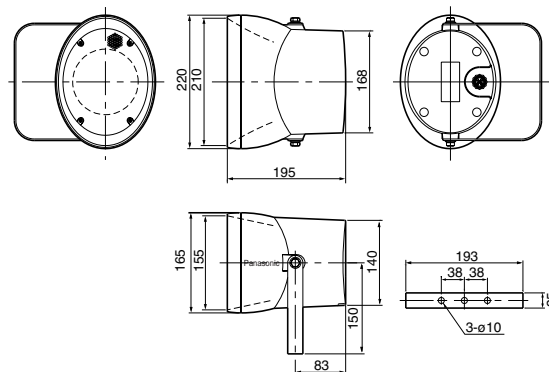


### Connections

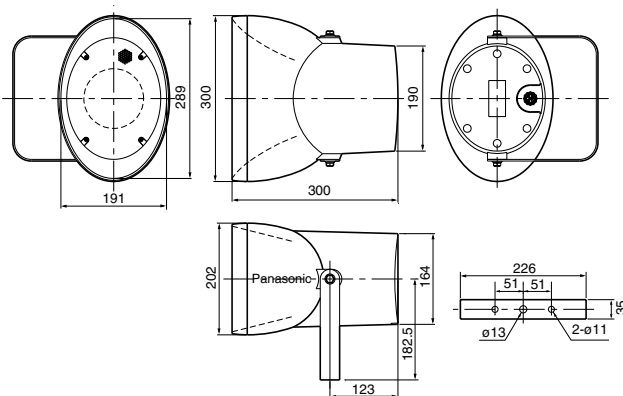


### Dimensions

#### WT-7006N



#### WT-7015N, WT-7030N



Unit: mm

### SPECIFICATIONS

| Model No.                  | WT-7006N                                | WT-7015N                              | WT-7030N                               |
|----------------------------|---|---------------------------------------|--|
| Rated Input                | 6 W                                     | 15 W                                  | 30 W                                   |
| Input Impedance            | 1.7 kΩ (6 W), 3.3 kΩ (3 W), 10 kΩ (1 W) | 670 Ω (15 W), 1 kΩ (10 W), 2 kΩ (5 W) | 330 Ω (30 W), 500 Ω (20W), 1 kΩ (10 W) |
| Sound Pressure Level       | 96 dB (1 m/ 1 W)                        | 99 dB (1 m/ 1 W)                      | 101 dB (1 m/ 1 W)                      |
| Frequency Response         | 200 ~ 12,000 Hz                         | 180 ~ 15,000 Hz                       | 180 ~ 15,000 Hz                        |
| Dimensions (W) x (H) x (D) | 220 x 233 x 195 mm (with bracket)       | 300 x 284 x 300 mm (with bracket)     | 300 x 284 x 300 mm (with bracket)      |
| Weight (Approx.)           | 1.5 kg                                  | 2.7 kg                                | 3.3 kg                                 |
| Finish                     | ABS resin (Munsell 2.1Y 7.7/1.1)        |                                       |  |