

# CX-12

## DMX 96 Control channel Dimming Controller

### 【 User Manual 】



**Lite-Puter Enterprise Co., Ltd.**

Website: [www.liteputer.com.tw](http://www.liteputer.com.tw)

E-mail: [sales@liteputer.com.tw](mailto:sales@liteputer.com.tw)

## Introduction

### CHAPTER 1. FUNCTION

|                         |   |
|-------------------------|---|
| 1-1 Feature .....       | 2 |
| 1-2 Specification ..... | 2 |
| 1-3 Dimension .....     | 3 |

### CHAPTER 2. SPECIFICATION

|   |   |
|---|---|
| 2-1 The feature function of control panel ..... | 4 |
| 2-2 The feature function of rear panel .....    | 5 |

### CHAPTER 3. POWER SWITCH .....

### CHAPTER 4. CHANNEL

|   |   |
|---|---|
| 4-1 Brightness of control channel .....                 | 7 |
| 4-2 Modification of brightness of control channel ..... | 8 |
| 4-3 Delete brightness of control channel .....          | 8 |

### CHAPTER 5. SCENE

|                                      |    |
|--------------------------------------|----|
| 5-1 SCENE setting.....               | 9  |
| 5-2 SCENE 1... SCENE 96 loading..... | 10 |

### CHAPTER 6. SEQUENCE

|                                       |    |
|---------------------------------------|----|
| 6-1 SEQUENCE Editing .....            | 12 |
| 6-2 SEQUENCE Modify .....             | 13 |
| 6-3 CHASE Loading .....               | 13 |
| 6-4 CHASE Fade On/Off Setting.....    | 14 |
| 6-5 To stop the CHASE execution ..... | 15 |

### CHAPTER 7. A/B CROSS FADERS SWITCHING

|  |    |
|--|----|
| 7-1 Save SEQUENCE into A/B CROSS FADER ..... | 16 |
| 7-2 Load A/B CROSS FADER .....               | 16 |
| 7-3 Pause A/B CROSS FADER .....              | 16 |

### CHAPTER 8. SET FUNCTION

|   |    |
|---|----|
| 8-1 LCD display / system default setting .....    | 17 |
| 8-2 output memory card loading / saving .....     | 18 |
| 8-3 Channel patch setting / warm up setting ..... | 19 |
| 8-4 Lock / Unlock setting .....                   | 21 |

## Chapter 1. CX-12 Feature & Function

### 1-1 Feature

- Dual control signal output  
(1.) DMX512 / 1990 (2.) 24 channel analog signal output 0 - 10V
- 96 control channel, and able to control up to CH97 – CH512 by patch
- 4 set of PATCH editing function
- 96 set of scenes pre-set  
( 24 set of scenes able to save on every single page function )
- 24 set of chase preset
- Up to 64 scene step on each chase setting
- 2 set of individual control stick for scenes change (CROSS FADE)
- Audio control available
- output external memory card saving / loading ( option )

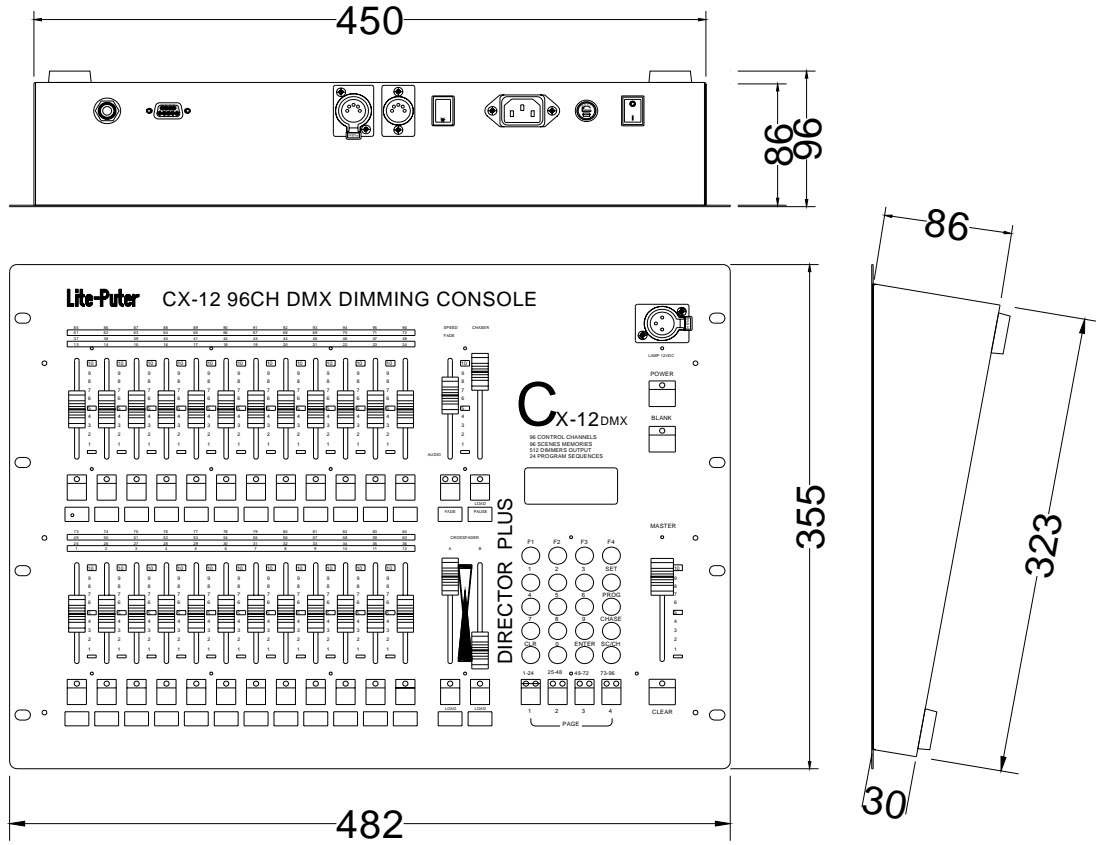
### 1-2 Specification

|   |   |
|---|---|
| ■ Power supply                          | AC 90-240V, 45-63Hz   |
| ■ Digital control signal input / output | DMX512 / 1990   |
| ■ Digital control channel               | 512channel by PATCH able to control CH 97 – CH 512          |
| ■ Digital control connector             | XLR 5-pin   |
| ■ Audio input                           | Internal microphone MAX 120dB , output max. value :AC 100mV |
| ■ Gooseneck connector stand             | XLR 3 -pin, DC +12V 250mA                                   |
| ■ Memory card                           | 64k*2   |
| ■ Dimension                             | 19" 8U standard rack<br>482(w) x 352(h)x125(d)mm            |
| ■ Weight                                | 5 Kg  |

### Warning !

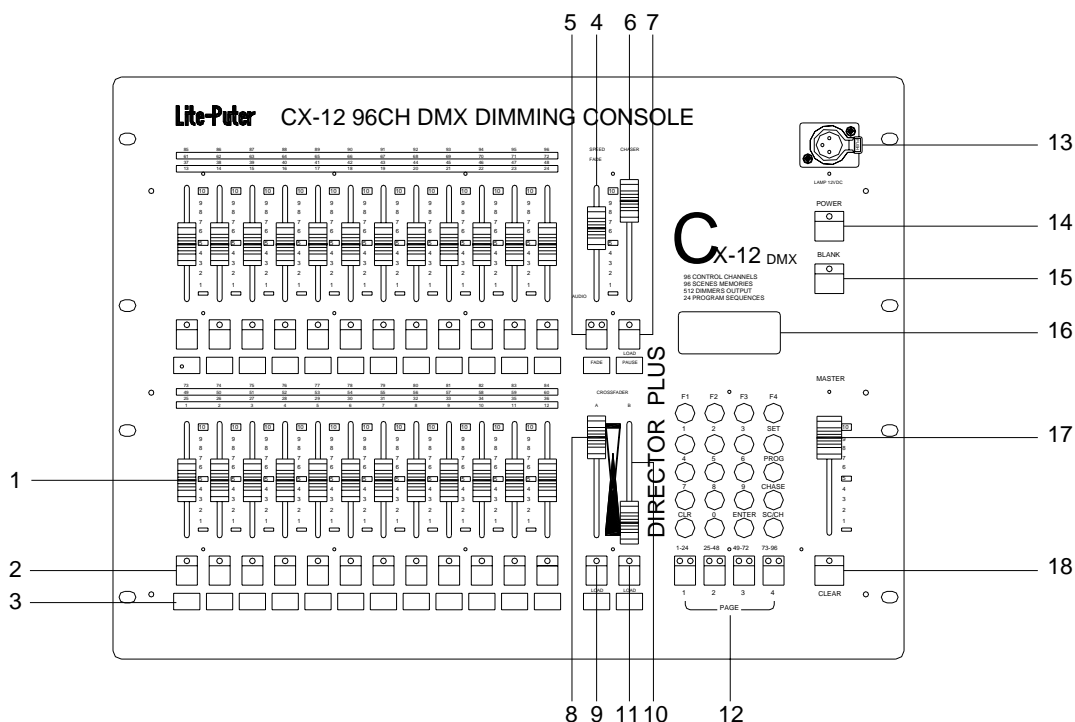
1. Recharge the battery at least 24 hours on before start running. ( power switch turn to ON locate on rear panel )
2. After first use, the saving data may lost if without battery recharge in 7 days!

**1-3 Dimension**



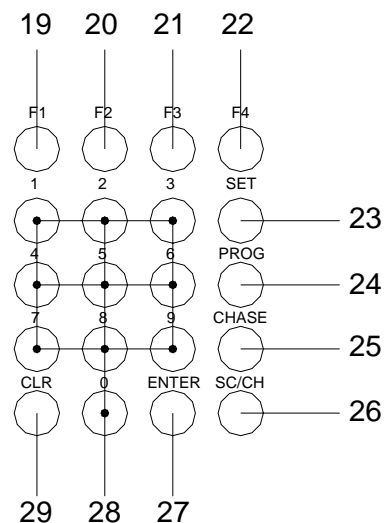
# CHAPTER 2. CX-12 SPECIFICATION

## 2-1 Introduction of control panel

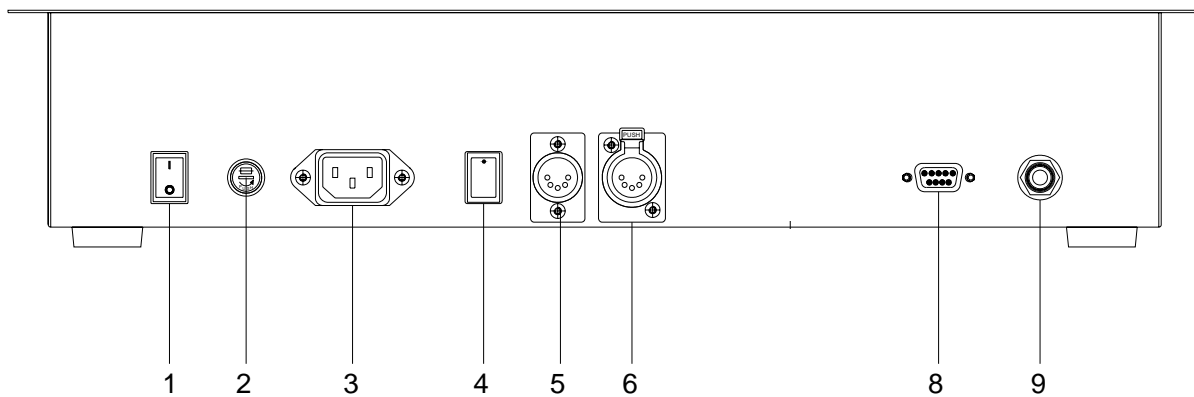


- (1.) **VR1 ~ VR24** VR ..... VR1 ~ VR24
- (2.) **P1 ~ P24** hot key ..... P1 ~ P24  
 function 1 : The LED on function key display the channel status ( In channel mode )  
 function 2 : In SCENE mode, for SCENE selection  
 function 3 : FLASH  
 function 4 : LOAD + P1 - P24 hot key for chase function 可快速呼叫跳機程式
- (3.) Blank .....indication / memo for user
- (4.) **SPEED / FADE** VR .....Adjustment of chase speeding / CROSS FADE speeding
- (5.) **FADE save key** .....CROSS FADE mode use
- (6.) **CHASER** VR .....chase brightness value adjustment
- (7.) **LOAD / PAUSE** .....Load / Pause : auto chase mode use
- (8.) **A-CROSSFADER** VR .....Manual chase A execution mode
- (9.) **LOAD** .....Load / Switch : Manual chase A mode use
- (10.) **B-CROSSFADER** VR .....Manual chase B execution mode use

- (11.)LOAD.....Load / Switch : Manual chase B mode use
- (12.)PAGE.....PAGE 1~PAGE 4
- (13.)Gooseneck.....C+12V 250 Ma
- (14.)POWER.....power switch
- (15.)BLANK.....Pause
- (16.)LCD.....LCD display
- (17.)MASTER VR.....Master VR
- (18.)CLEAR.....output clear
- (19.)F1.....function key
- (20.)F2.....function key
- (21.)F3.....function key
- (22.)F4.....function key
- (23.)SET.....function key
- (24.)PROGRAM.....function key
- (25.)CHASE.....Chase execution
- (26.)SC/CH.....scene/channel switch
- (27.)ENTER.....enter key
- (28.)0 ~ 9.....0 ~ 9
- (29.)CLR.....Clear



**2-2 REAR PANEL**



- ( 1 ) Power switch
- ( 2 ) fuse
- ( 3 ) AC 100-240V 50-60 Hz
- ( 4 ) goosenecks power switch
- ( 5 ) DMX 512 input
- ( 6 ) DMX 512 output
- ( 8 ) memory card
- ( 9 ) audio input

## CHAPTER 3 Switch

### **Switch on**

- (1.) Plug into power source, and turn the power switch on rear panel
- (2.) Turn the power switch on front panel, and check the LCD display status
- (3.) Be sure that the LED on BLANK is off

### **Switch off**

- (1.) Turn off the power switch on front panel

**Battery recharging mode**

- (2.) Turn off the power switch on rear panel

**Battery un-recharge, 7 days duration of save data maintains only**

**Remark : The using status will keeping on after power off**

## Chapter 4. CHANNEL

### 4-1 Brightness value

**STEP-1** Adjust the **【MASTER VR】** to the top (**MASTER VR** adjust all control channel brightness value)

**STEP-2** press **【SC/CH】** key, to select the control channel mode (LED show green light on page key)

**STEP-3** press **【PAGE 1】**, adjust **【VR 1 ~ VR 24】**, to set CH. 01 ~ 24 brightness value.

PAGE START CH01  
CHASE FADE ON  
F1/2 : FADE ON/OFF

**STEP-4** press **【PAGE 2】**, adjust **【VR 1 ~ VR 24】** to 0 value, and adjust **【VR 1 ~ VR 24】** to set CH. 25 ~ 48 of brightness value.

PAGE START CH25  
CHASE FADE ON  
F1/2 : FADE ON/OFF

**STEP-5** press **【PAGE 3】**, adjust **【VR 1 ~ VR 24】** to 0 value, and adjust **【VR 1 ~ VR 24】** to set CH. 49 ~ 72 of brightness value.

PAGE START CH49  
CHASE FADE ON  
F1/2 : FADE ON/OFF

**STEP-6** press **【PAGE 4】**, adjust **【VR 1 ~ VR 24】** to 0 value, and adjust **【VR 1 ~ VR 24】** to set CH. 73 ~ 96 of brightness value.

PAGE START CH73  
CHASE FADE ON  
F1/2 : FADE ON/OFF

**p.s. when on page function, the VR should be adjust to 0 value, and move the VR key to get the new dimming value**



## 4-2 Brightness modification

**STEP-1** press **【PAGE 1】** (ch1-24)

PAGE START CH01  
CHASE FADE ON  
F1/2 : FADE ON/OFF

**STEP-2** adjust **【VR 1】** key to CH01=00 value, and adjust VR key to top CH01=FL, then adjust the **【VR 1】** key to CH01=50 to change the setting.

## 4-3 setting delete

adjust **【VR 1 ~ VR 24】** and **【MASTER VR】** key to the bottoms "0", and press the CLEAR key on below of "MASTER VR" key to delete.

## Chapter 5 SCENE

### 5-1 SCENE setting

**STEP-1** please refer to the chapter 4, adjust the dimming value on the control channel.

**STEP-2** press **【PROG】**

```
F1: Scene
F2: Sequence
```

**STEP-3** press **【F1】** ,and select SCENE mode :

```
F1: Load F3: Clear
F2: Save
```

**STEP-4** press **【F2】** ,to save the SCENE

```
SELECT [01..... 96]
SAVE SCENE 01
```

**STEP-5** press **【ENTER】** to confirm the selection

```
ARE YOU SURE ?F1
SAVE SCENE 01
```

**STEP-6** for further SC2 --- SC96 setting, please refer to the setting procedure of above

Each **【PAGE】** 24 set of SCENE setting available  
 4 PAGE able to store 96 set of scene

**5-2 SCENE 1 ... SCENE loading**

**5-2-1 use [PROG] key for SCENE loading**

**STEP-1** Set all dimming value to 0% (refer to 4-3 )

**STEP-2** Adjust **[MASTER VR]** key for dimming value

**STEP-3** Press **[PROG]** , and press **[F1]** to select the SCENE mode

F1: Scene  
F2: Sequence

**STEP-4** Press **[F1]** key for SCENE loading

F1: Load    F3: Clear  
F2: Save

**STEP-5** Press **[0...9]** key for number of SCENE loading

SELECT [01..... 96]  
LOAD SCENE    01

**STEP-6** Press **[ENTER]** to confirmed the scene loading

**5-2-2 use [SC/CH] key for SCENE loading (FLASH status)**

|                   |                     |
|-------------------|---------------------|
| <b>[PAGE] LED</b> | <b>SCENE mode</b>   |
| <b>[PAGE] LED</b> | <b>CHANNEL mode</b> |

**STEP-1** Set all dimming value to 0%. (refer to 4-3 )

**STEP-2** Adjust the **[MASTER VR]** key

**STEP-3** Press **[PAGE 1]**

**STEP-4** Press **【SC/CH】** to select the **SCENE** mode.

**STEP-5** Press **【P 1】** for SCENE loading. (Flash status)

### **5-2-3 Adjust the 【VR 1 ~ VR 24】 key for SCENE loading**

**STEP-1** Adjust all control channel dimming value to 0% (refer to 4-3)

**STEP-2** Adjust the **【MASTER VR】**

**STEP-3** Press **【PAGE 1】**

**STEP-4** press **【SC/CH】** to select **SCENE** mode (LED light on RED on PAGE key )

**STEP-5** Adjust **【VR 1】** key to for SCENE loading

**【1】 5-2-1 or 5-2-2 : SCENE speed loading**

**【2】 5-2-3 : Adjust the VR key for dimming function**

## Chapter 6. SEQUENCE / CHASE

### "SEQUENCE"

- meaning : 2 set of scene or more of scenes for chase setting
- Function : Provide the " CHASE " & " A/B CROSS FADER " control procedures
- Data memory: up to 24 SEQUENCE of memory data , and up to 64 step per SEQUENCE setting

### 6-1 SEQUENCE Editing

**STEP-1** Press **【PROG】** key

F1: Scene  
F2: Sequence

**STEP-2** Press **【F2】** key to select Sequence mode

F1: Load    F3: Edit  
F2: Save    F4: Clear

**STEP-3** Press **【F3】** key for Sequence editing

F1 / 2/ 3/ 4=1/ + / - /E  
SEQU.STEP01=S - -

press **【F1】** back to STEP-01  
press **【F2】** forward  
press **【F3】** reward  
press **【F4】** to save

**STEP-4** Use **【0...9】**key to select the SCENE, and press **【ENTER】**key to confirmed the selection

F1 / 2/ 3/ 4=1/ + / - /E  
SEQU.STEP01=S - -

**STEP-5** according to the STEP-3 procedures, to continues the SCENE setting, and press **【F4】** key to complete the editing, and press **【ENTER】** to save

SELECT [01...24]  
SAVE SEQUENCE01

## 6-2 SEQUENCE Modification

**STEP-1** Press **【PROG】** key

F1: Scene  
F2: Sequence

**STEP-2** and press **【F2】** key to select Sequence mode

F1: Load    F3: Edit  
F2: Save    F4: Clear

**STEP-3** press **【F1】** key, and press **【0...9】** key to select Sequence

SELECT [01..24]  
LOADSEQUENCE01

**STEP-4** Press **【ENTER】** key to confirmed.

F1: Load    F3: Edit  
F2: Save    F4: Clear

**STEP-5** Press **【F3】** key for Sequence setting

## 6-3 CHASE Loading

### 6-3-1 CHASE loading

*EX : to load the 1<sup>st</sup> set of chase*

**CHASE number = SEQUENCE number**

**STEP-1** press **【CHASE】** key

SELECT        01...24  
CHASE: OFF    01

**STEP-2** and press **【0...9】** to select the CHASE, and press **【ENTER】** to confirm the selection

```
SELECT      01...24
CHASE: OFF  01
```

**STEP-2** adjust the **【CHASER FADER VR】** to the top.(chase dimming value)

**STEP-3** adjust **【SPEED FADER VR】** for chase speeding, for audio control, the VR key should move to “ 0% “ value.

### 6-3-2 Use **【P1-P24】** for chase loading

**STEP-1** press **【LOAD/PAUSE key on below of CHASER FADER VR】+【P 1】** keys together, for 1<sup>st</sup> set of chase loading, and press **【P 2】** key for the following chase loading

Press **【LOAD/PAUSE key on below of CHASER FADER VR】** again to pause the chase function, and press the same keys again to continue

Refer to 6-1& ~ 6-2 of setting procedures, for further chase setting, up to 24 set of chase setting available. And refer to 6-1 for chase loading

### 6-4 CHASE Fade On/Off Setting

**STEP-1** adjust the **【CHASER FADER VR】** or **【SPEED FADER VR】**

```
CHS=FL      SPEED=FL
OFF          Step=01
CHASE FADE ON
F1/2:FADE ON/OFF
```

**STEP-2** press **【F1】** key, to enter **CHASE FADE ON MODE.**

press **【F2】** key, to enter **CHASE FADE OFF MODE.**

```
CHS=FL      SPEED=FL
OFF          Step=01
CHASE FADE ON
F1/2:FADE ON/OFF
```

```
CHS=FL      SPEED=FL
OFF          Step=01
CHASE FADE OFF
F1/2:FADE ON/OFF
```

**6-5 to stop the CHASE execution**

***function 1.***

Press twice **【CHASE】** key to stop

***function 2.***

Adjust the **【CHASE FADER VR】** key to the “ 0% “ value to stop



## Chapter 7 A/B CROSS FADERS Scene switching

"A/B CROSS FADER"

- 2 set of individual scene control VR
- In SEQUENCE mode, use A/B CROSSFADER to execute the manual chase function.

### 7-1 To save the SEQUENCE to A / B CROSS FADER

*EX : To load the Sequence to A CROSS FADER*

**STEP-1** Press **【LOAD key on below of A CROSS FADER】** + **【P 1】** keys together to save the current sequence into A CROSS FADER.

### 7-2 To load A / B CROSS FADER data

**Function 1 : press the Load key on below of A/B CROSS FADER**

The Fader time of A/B CROSS FADER control by SPEED VR key, according to 7-1, to load the saving data from the SEQUENCE by A CROSS FADER.

**STEP-1** Adjust **【SPEED / FADE VR】** key, and press **【FADE】** to confirmed the speed setting, adjust the speed VR key, and press FADE key for modification

**STEP-2** Press **【A CROSS FADER VR】** to the top, and press **【LOAD】** key for loading

**Function 2: use A/B CROSS FADER VR**

According to the setting procedures of above, use the **【A CROSS FADER VR】** key for further setting

### 7-3 To pause the A / B CROSS FADER

Adjust the **【A CROSS FADER VR】** key to the "0%" value, and press **【LOAD】** key to pause / stop

## Chapter 8 Other function setting

### 8-1 LCD display / default setting

#### 8-1-1 Power switch of LCD background lighting

**STEP-1** Press **【SET】**

F1 : Setup F3 : Patch  
F2 : Xio F4 : Lock

**STEP-2** and press **【F1】**

F1 : Lcd  
F2 : Reset system

**STEP-3** and press **【F1】**

F1 : Backlight  
F2 : Concen

**STEP-4** and press **【F1】** for brightness of LCD background lighting, press **【F1】** again to save.

F1 : Backlight  
F2 : Concen

#### 8-1-2 LCD contrast adjustment

**STEP-4** refer to STEP-4, press **【F2】** key to adjust the contrast of LCD, and press **【F2】** again to confirmed.

F1 : Backlight  
F2 : Concen

### 8-1-3 DATA delete

**STEP-1** press **【SET】**

F1 : Setup F3 : Patch  
F2 : Xio F4 : Lock

**STEP-2** and press **【F1】**

F1 : Lcd  
F2 : Reset system

**STEP-3** and press **【F2】**

Reset All Data!  
Are You Sure? F1

**STEP-4** and press **【F1】** to delete all data, the BLANK will be activate, press **【BLANK】** key to continue the further setting.

\* DESK BLACK OUT \*  
CX-12  
V2.08 (C) 1997- 98  
BY LITE PUTER

The display will be blinking

### 8-2 External memory card save / load

**STEP-1** Press **【SET】**

F1 : Setup F3 : Patch  
F2 : Xio F4 : Lock

**STEP-2** and press **【F2】**

F1 : Read  
F2 : Save

press **【F1】** for external memory loading  
press **【F2】** for external memory saving

**8-3 Channel patch setting / warm up setting**

**8-3-1 Channel patch setting ( up to 4 set of setting )**

EX : To patch DIMMER097channel to CH01 of CX-12

**STEP-1** Press **【SET】**

F1 : Setup F3 : Patch  
F2 : Xio F4 : Lock

**STEP-2** and press **【F3】**

F3:DMXin  
F2:DMXo F4:Wrmup

**STEP-3** and press **【F2】**

F1 : Load F3 : Edit  
F2 : Save F4 : Clear

**STEP-4** and press **【F3】**

F1/ 2 / 3 / 4=1/ + / - /d  
DIMMER001<=CH01

press **【F1】** to DIMMER 001  
press **【F2】** DIM to + 1  
press **【F3】** DIM to -1  
press **【F4】** DIM address selection

**STEP-5** Press **【F4】** , for DIM staring address

1:97 2:193 3:289  
DIMMER001<=

press **【F1】** DIMMER097  
press **【F2】** DIMMER193  
press **【F3】** DIMMER289

**STEP-6** Press **【F1】** for DIMMER097<=CH--

F1/ 2 / 3 / 4=1/ + / - /d  
DIMMER097<=CH--

**STEP-7** key【0】,【1】for DIMMER097<=CH01, and press【ENTER】key to confirmed the setting, the *DIMMER097 had PATCH to CX-12 之 CH01*

F1/2/3/4=1/+/-/d  
DIMMER097<=CH01

**STEP-8** press 【SET】 to escape

F1 : Load F3 : Edit  
F2 : Save F4 : Clear

**STEP-9** press 【F2】 the save (4 set of setting available F1~F4 )

**STEP-10** press 【F1】 to load the patch data from F1~F4

**STEP-11** press 【F4】 to delete the date, and back to the default setting

**8-3-2 Warm up setting 0~9%**

**STEP-1** press 【SET】

F1 : Setup F3 : Patch  
F2 : Xio F4 : Lock

**STEP-2** and press 【F3】

F3:DMXin  
F2:DMXo F4:Wrmup

**STEP-3** and press 【F4】

F1 : ALLCh  
F2 : LoadSc F4 :Clr

1. 【F1】 : to select all channel warm up setting
2. 【F2】 : SCENES loading
3. 【F4】 : to delete the last step scene setting

## 8-4 Lock / unlock function

### 8-4-1 password setting

**STEP-1** press **【SET】**

F1 : Setup F3 : Patch  
F2 : Xio F4 : Lock

**STEP-2** and press **【F4】**

F1 : Pgm.  
F2 : Key

**【F1】** : SET, PROG key lock  
**【F2】** : all function key lock

**STEP-3** press **【F1】** , to lock **【PROG】** key

LOCK PROGRAM:  
PASSWORD : 0000

Enter 4 digit number, or enter "6248" of default password setting

**STEP-4** press **【ENTER】** key to confirmed the setting

### 8-4-2 unlock

press **【SET】** ,and press 4 digit number of password **【XXXX】** and press **【ENTER】** to unlock